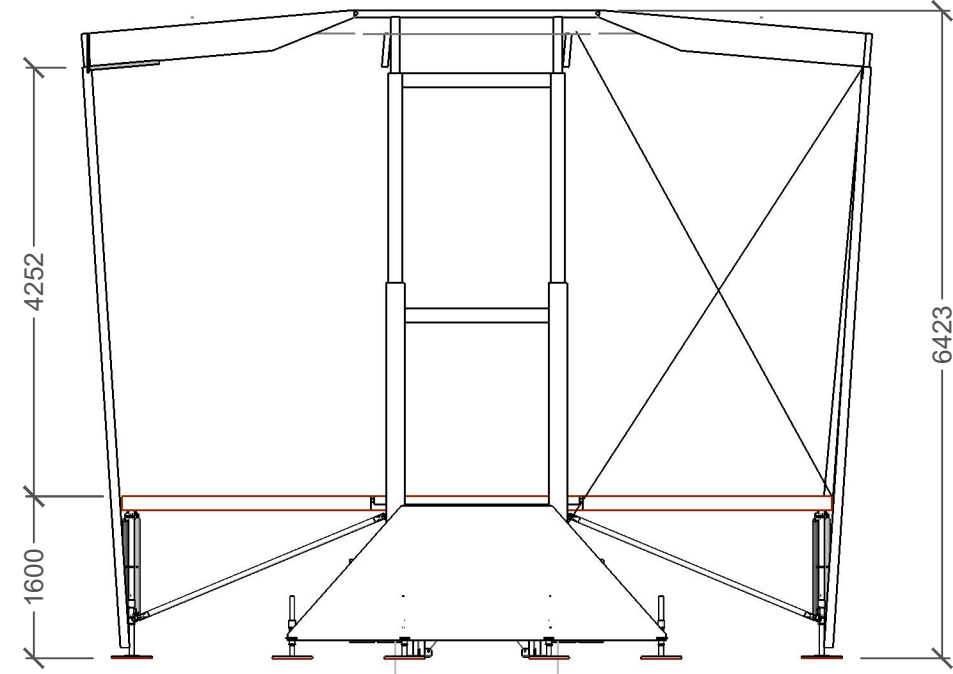
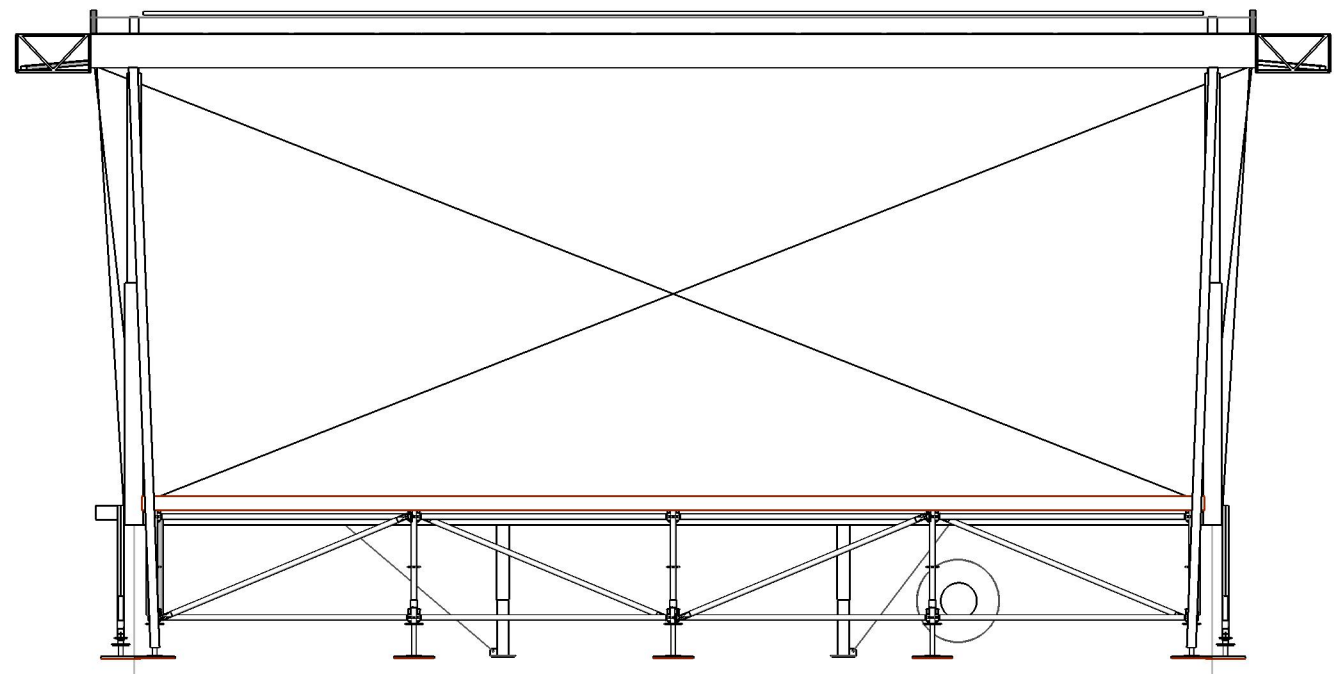
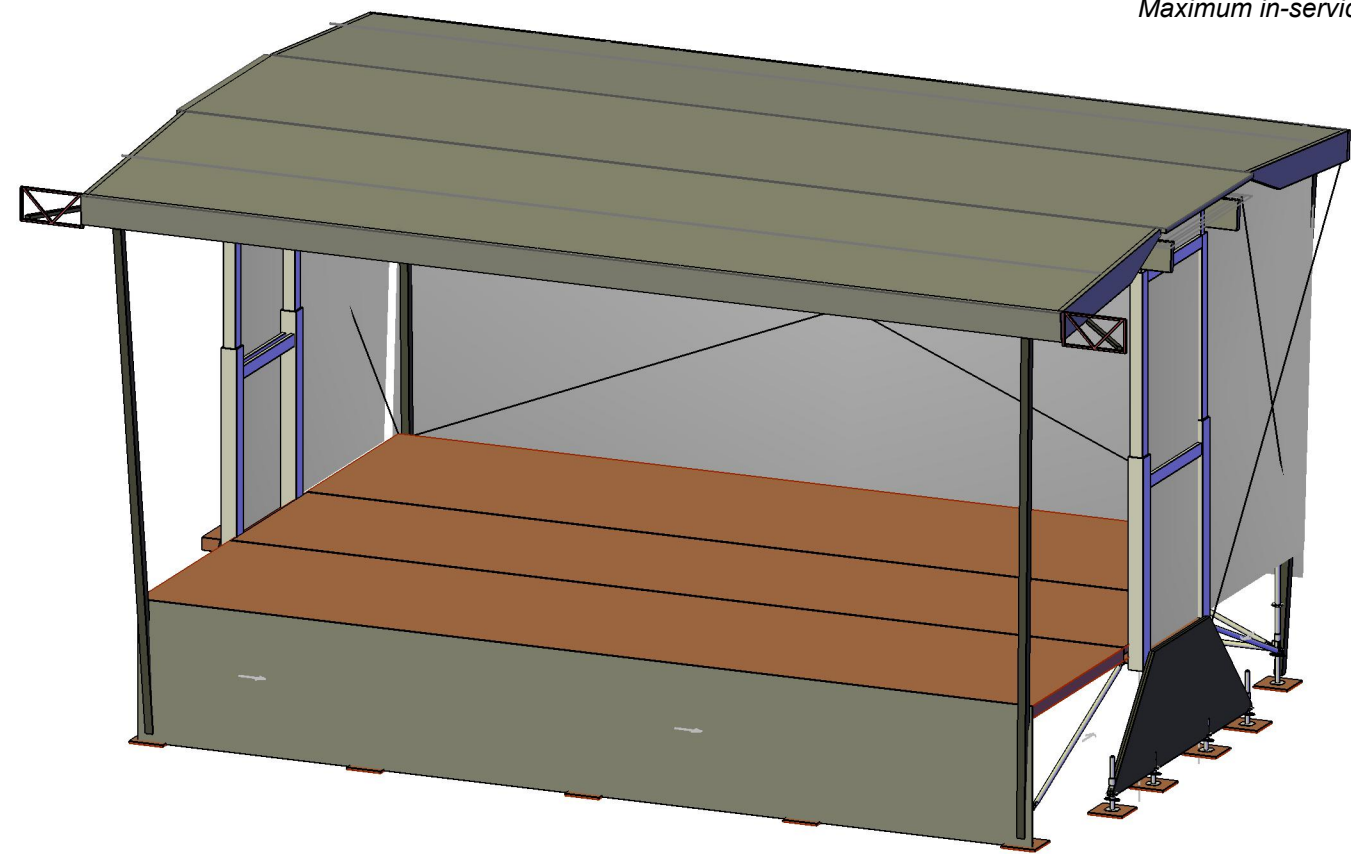
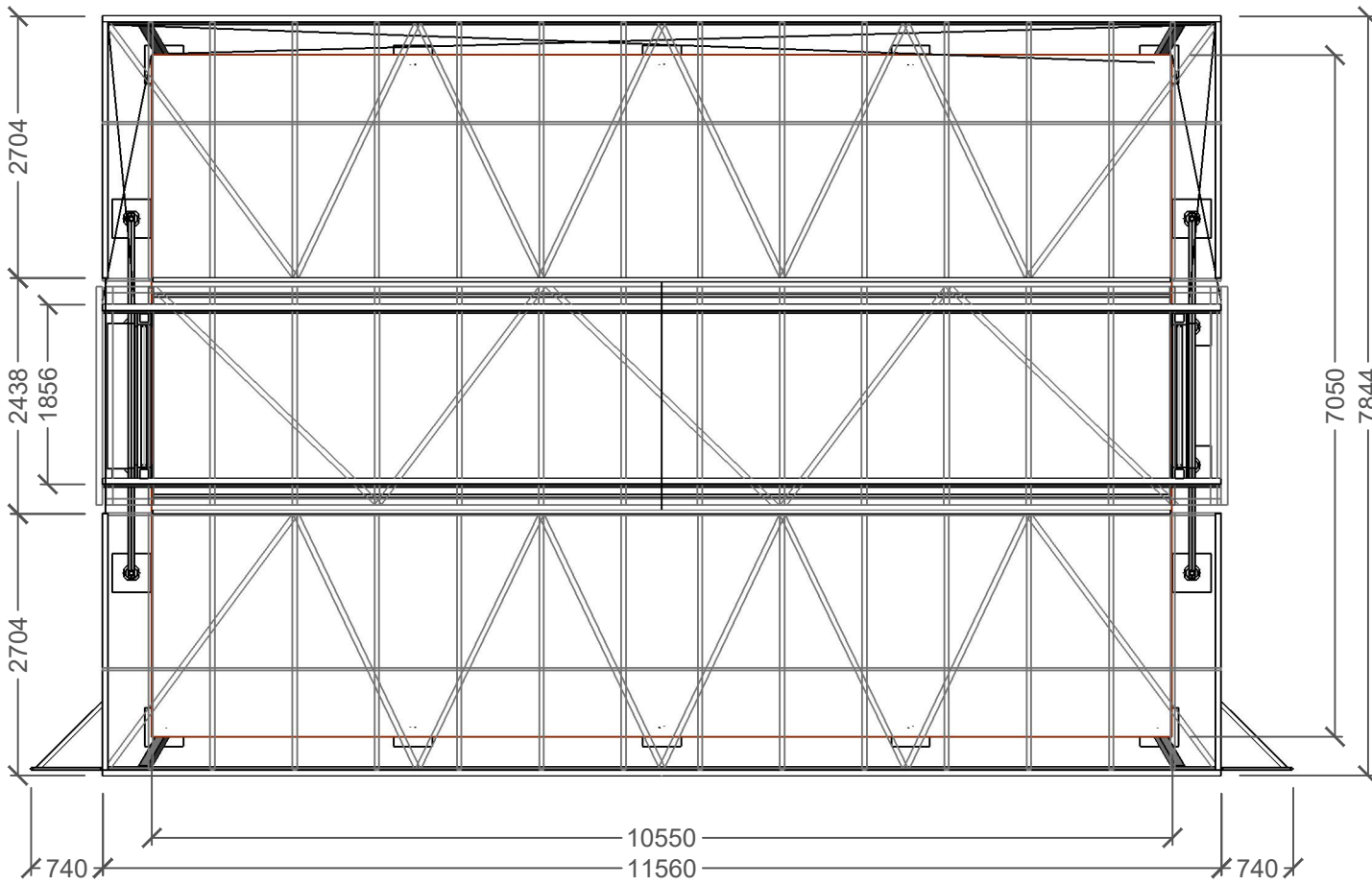


Floor level: Minimum 1.50m
 Clearance front: Maximum 4.25m
 Canopy: Black-Grey
 Production loads (capacity external PA truss not included): 4.6T (UDL)
 Maximum load external PA truss: 450kg/truss
 Maximum in-service windload: 20 m/s



Date: 3-jun-20	Scale: 1:75.0	Units: mm	Phone: +31 (0) 497 51 7771
Page name: A3 - Technical Drawing	Drawn by: Gigant	Number:	City / Venue: ---
E-mail: info@gigantinternational.com			

Mobiel_podium_5_clearance4.5m



